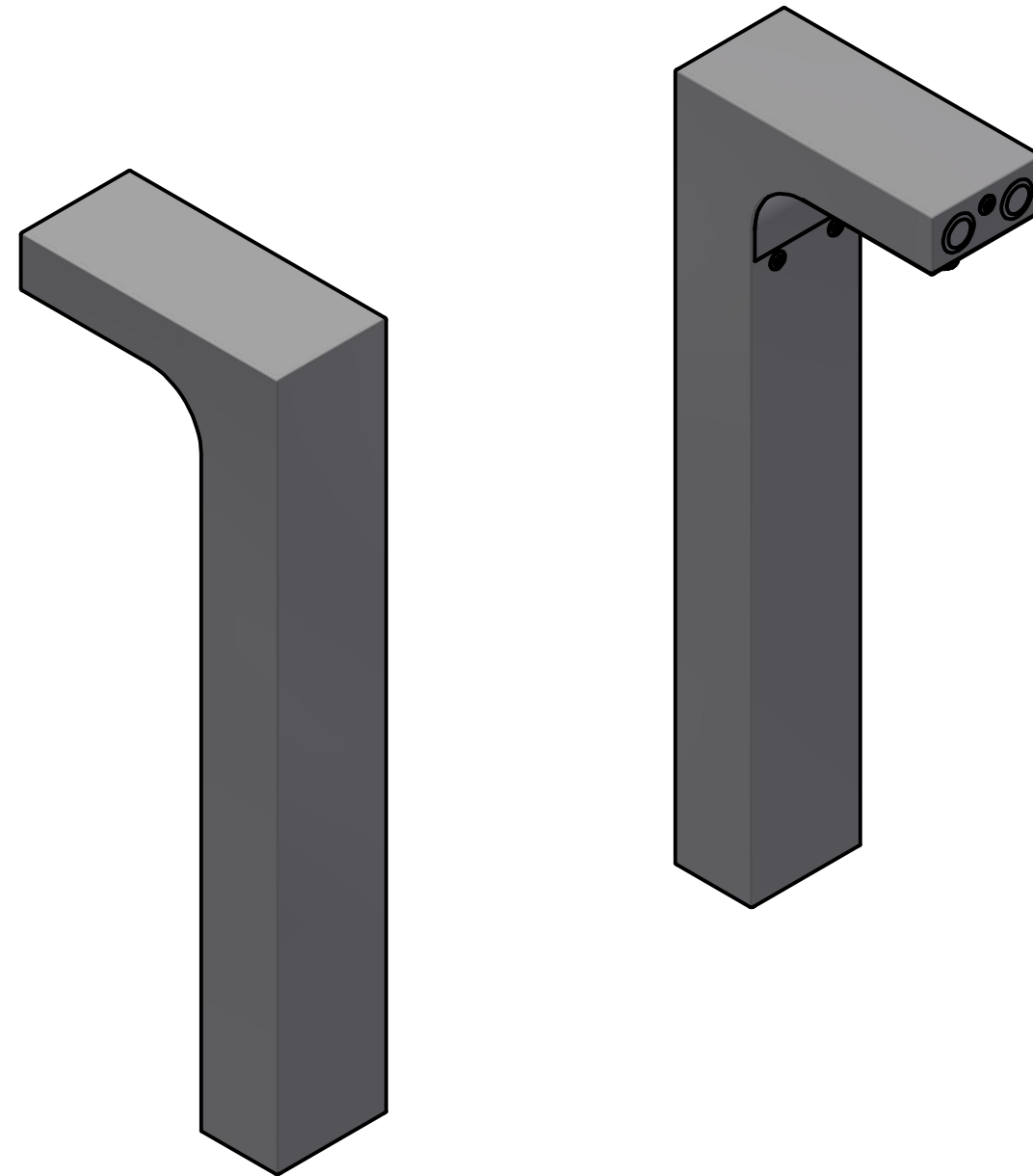


31-001 - Arrax

Material:

03-11-2021 C:\WF\Designs\Technical Department\NYJEP\Customer drawings\1102504.idw

THIS DRAWING IS THE PROPERTY OF MICRO MATIC A/S AND MUST NOT BE USED, DISCLOSED OR REPRODUCED WITHOUT PRIOR WRITTEN AUTHORITY.

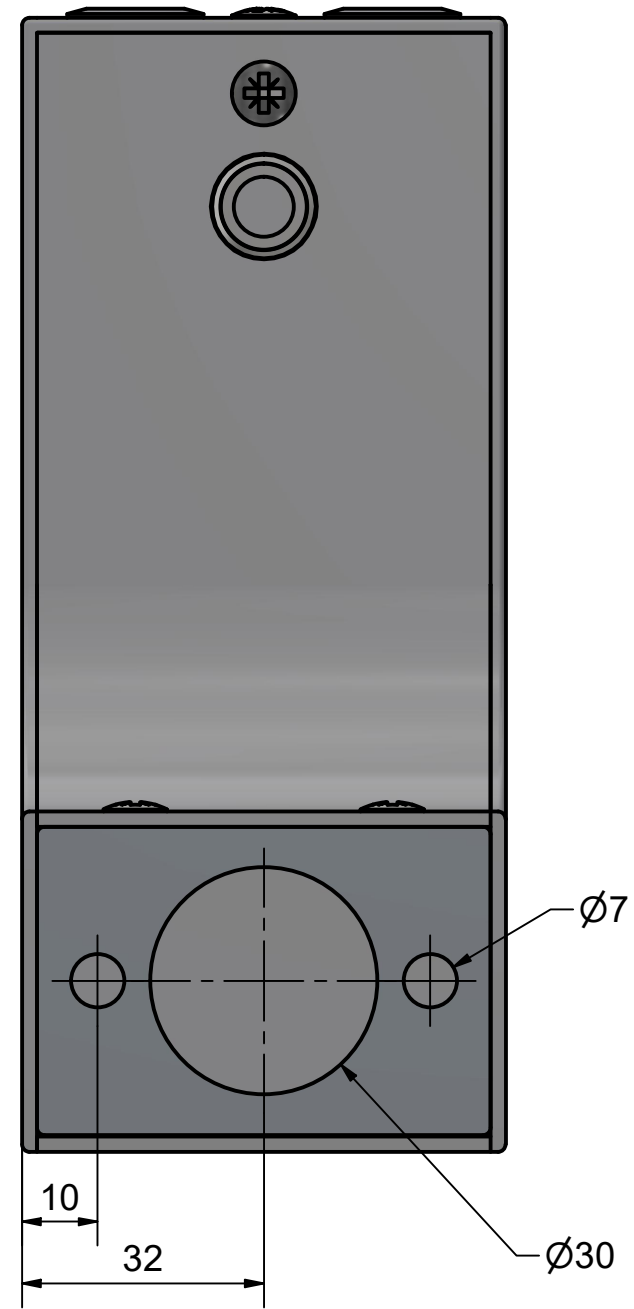


Material:

03-11-2021

C:\WF\Designs\Technical Department\NYJEP\Customer drawings\1102504.idw

THIS DRAWING IS THE PROPERTY OF MICRO MATIC A/S AND MUST NOT BE USED, DISCLOSED OR REPRODUCED WITHOUT PRIOR WRITTEN AUTHORITY.



Material:

03-11-2021

C:\WF\Designs\Technical Department\NYJEP\Customer drawings\1102504.idw

THIS DRAWING IS THE PROPERTY OF MICRO MATIC A/S AND MUST NOT BE USED, DISCLOSED OR REPRODUCED WITHOUT PRIOR WRITTEN AUTHORITY.